

SWISS MADE 

# Industrial Balances

**PREMIUM** Series 490 IBK/ITK/ISK



Precision

## **PREMIUM** Series 490 IBK/ITK/ISK



**The finest electro-magnetic force restoration system, which conforms to the highest metrological standards, secure that all weighing results are absolutely reliable.**

The Precisa 490 Series range of industrial scales stands for outmost Swiss precision. Built for all areas of industrial weighing where high precision is required. Exceptional performance features and built-in automatic self calibration system gives users full confidence in achieving accurate weighing results – approved and certified. The wide range of integrated applications makes the Series 490 first choice for every conceivable industrial weighing application. Ease-of-use included.



# Terminals

User-friendly, multi-application terminals designed to meet every weighing requirement.



## Terminal IB

User-friendly indicator.

Standard keyboard layout with 10 keys. 4 freely definable function keys. Large digital display, 20 digit display information line. Vacuum fluorescent display. Weighing-in guide +/-

Applications included: weight unit switching, counting, percent weighing, net totals, check weighing, animal weighing, totalisation, statistics, calculation, area weight calculation, Multi-User Memory (MUM).



## Terminal IT

User-friendly, multi-application indicator.

Additional keyboard for alphanumerical inputs for manual tare and reference weight input.

Vacuum fluorescent display. Weighing-in guide +/- Applications included: all the above applications included with Indicator IB plus Dynamic Differential Weighing (DDW), Minimum Sample Weight (MSW), density determination, Multi-level Backweighing (MBW).



## Terminal IS

Multi-application indicator for special applications.

Additional keyboard with 30 keys for alphanumerical inputs for manual tare and reference weight input.

Vacuum fluorescent display. Weighing-in guide +/-

All applications as per Indicator IT and additional SmartBox®.



## Counting: advanced parts counting with multiple memory functions

Extended counting and storage functions with 1000 product storage positions, 250 stored tare-weights, nominal and tolerance values.

Totalization, definition of print format, memory protection.

## FPVO: Check and reference weighing of finished products during the production process,

Establishing under or over filling using 500 article storage positions, 500 daily and weekly statistics, average tare weight calculation, machine identification, print format definition, memory protection.





## SCS fully automatic self-calibration system

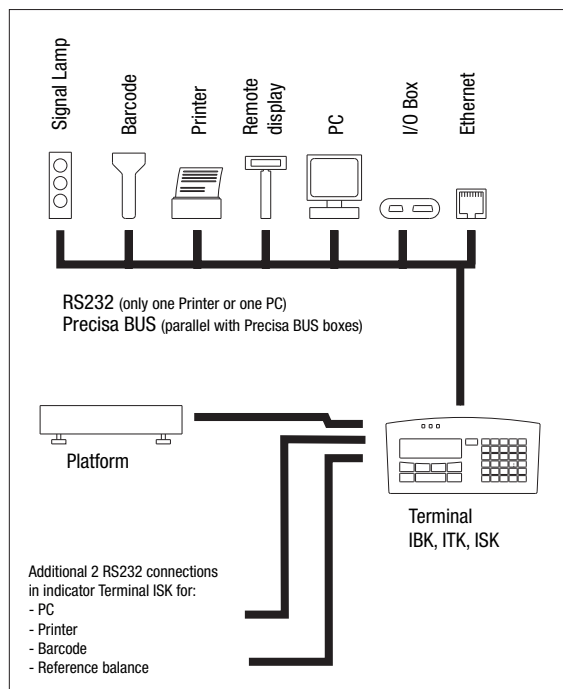
The PREMIUM 490 Series is equipped with a fully automatic time and temperature controlled internal calibration system (SCS). The SCS can be set to provide regular calibration at predetermined times or temperature changes in accordance with ISO and GLP guidelines. Additionally external calibration can be achieved via the Intelligent Calibration Mode (ICM) with a choice of external weights.

## IP65 Protection

The PREMIUM 490 Series is available with IP65 industrial protection as an option. IP65 protects against ingress of dust and water splashes. The balance is fitted with a protective keyboard.



## Versatile connectivity



### Connectivity

The standard interface can work as RS232 or as Precisa BUS.

RS232 for single connection of:

- Printer
- PC

Precisa BUS boxes for parallel connection of:

- Printer
- PC
- Signal Lamp
- Barcode scanner
- Remote display
- I/O Box
- Ethernet

The indicator Terminal ISK contains a Precisa BUS and 2 RS232 connections for:

- PC
- Printer
- Barcode scanner
- Reference balance



Options	490 lxK
Set for EC / OIML verification, fitted at factory, not verified, available only for balances with EC (/ OIML) Type approval	350-8577
EC-Verification according to 90/384/ECC by Precisa (initial verification) available only for balances with EC (/ OIML) Type approval	350-8578
Protection IP65: protection against ingress of dust and low pressure water jets, fitted at factory	350-8646

Precisa BUS Accessories	490 lxK
Remote / secondary display free-standing with cable 1.5 m	350-8504
Remote / secondary display mounted to the balance	350-8505
Remote / secondary display mounted to the wall with cable 3 m	350-8516
Interface RS232 for data transmission: - to PC, Printer or Barcode-Printer - from Barcode Reader (350-8856) or Reference-Balance	350-8506
Interface 20mA current loop passive	350-8526
Analog output -10V... +10V (Resolution 10 mV)	350-8508
Ethernet Interface, Wired	350-8573
Ethernet Interface, Wireless	350-8588
Signal Lamp, indicator with 3 lamps, green / red / yellow	350-8510
Horn for Signal Lamp	350-8533
Input / Output module with 6 TTL Inputs / 8 Relay Outputs	350-8509
CCE-Bar code scanner BCS5040 with push button and plug to be connected to the Interface RS232 350-8506 (Connector DB25)	350-8856

SmartBox® Application accessories	490 ISK
CCE-Bar code scanner BCS5040 with push button and plug to be connected direct to the SmartBox® (Connector RJ45)	350-8531

Accessories, Series 490	490 lxK
Wall bracket for display	350-8654
Post for rear mounted display	350-8655
Connection-cable indicator to platform, length 3 m	350-8586-030
Connection-cable indicator to platform, length 5.5 m	350-8586-055
Connection-cable indicator to platform, length 10 m	350-8586-100
Below the balance weighing feature up to 40 kg	350-8630
Below the balance weighing feature IP65 version up to 40 kg	350-8635
External USV accu power pack	350-8662
Dust cover for indicator, set of 20 pieces	350-8599
Anti-theft device	350-8555
Printer CBM910 230V - with cable and paper roll	350-8363
Printer CBM910 115V - with cable and paper roll	350-8370
Paper roll for Printer CMB910	350-8366
Ribbon for Printer CBM910	350-8367
Data cable RJ45 / DB9 Female 1.5m (PC)	350-8557
Data cable RJ45 / DB25 Female 1.5m (PC)	350-8558
Data cable RJ45 / DB25 Male 1.5m (Printer)	350-8559

## Features and Applications



Swiss made



Support IQ/OQ/PQ



Units g, mg, ozt, lb, tael, etc.



Net total application  
Add-up summation  
Dosage program



Vacuum Fluorescent Display



Anti theft protection, password plus mechanical security



% weighing



Free conversion program  
Area conversion program (paper program)



Fully automatic internal calibration system SCS



Direct tare entry (manual), direct reference weight entry



Counting program



Statistics



Easy alpha-numeric input



Clock (Printout GLP/GMP, Auto-Cal etc.)



Animal Weighing



Automatic Repeatability Test



Check weighing plus/minus



Below balance weighing



Density determination



Minimum Sample Weight



Recorder



Dynamic Difference Weighing



Multi-level-backweighing

# Precisa Series 490: Technical Specification



## Terminal IBK



User-friendly multi-application indicator (IBK)



## Terminal ITK



Indicator with alpha-numeric input and manual tare (ITK)



## Terminal ISK



Indicator with integrated SmartBox® (ISK)

### Precision Balances 0.1 g

Model	Capacity	Readability	Repeatability	Linearity	Pan Size (mm)	Response time	Class / „e“	Sensitivity drift 10...30°C (ppm / °C)
IBK 12000D	12 100 g	0.1 g	0.1 g	0.2 g	400 x 300	2 s	Class II / 1 g	4
IBK 18000D	18 100 g	0.1 g	0.1 g	0.2 g	400 x 300	2 s	Class II / 1 g	3
IBK 24000D	24 100 g	0.1 g	0.1 g	0.2 g	400 x 300	2 s	Class II / 1 g	3
IBK 34000D	34 100 g*	0.1 g	0.1 g	0.2 g	400 x 300	2 s	Class II / 1 g	2
IBK 34000D-DR	12 100 / 34 100 g*	0.1 g / 1 g	0.1 g	0.2 g	400 x 300	2 s	Class II / 1 g	4
IBK 34000D-FR	12 100 - 34 100 g*	0.1 g - 1 g	0.1 g	0.2 g	400 x 300	2 s	Class II / 1 g	4

\*approved max. 30 100 g

Dimensions (WxLxH) with terminal 400x465x150 mm  
Dimensions (WxLxH) without terminal 400x300x150 mm

Net weight 15 kg  
Protection platform IP 54 (IP65 optional)

### Precision Balances 1 g

Model	Capacity	Readability	Repeatability	Linearity	Pan Size (mm)	Response time	Class / „e“	Sensitivity drift 10...30°C (ppm / °C)
IBK 20000G	20 100 g	1 g	0.5 g	1 g	400 x 300	2 s	Class II / 1 g	4
IBK 30000G	30 100 g	1 g	0.5 g	1 g	400 x 300	2 s	Class II / 1 g	4
IBK 40000G	40 100 g	1 g	0.5 g	1 g	400 x 300	2 s	Class II / 2 g	4
IBK 60000G	60 100 g	1 g	1 g	1.5 g	400 x 300	2 s	Class II / 10 g	4

Dimensions (WxLxH) with terminal 400x465x150 mm  
Dimensions (WxLxH) without terminal 400x300x150 mm

Net weight 15 kg  
Protection platform IP 54 (IP65 optional)

### Common Specifications

Floating display	Temperature range	Line voltage, Tolerance	Stability settings	Power consumption	Frequency
adjustable	5 .. 40 °C	115V / 230V, +15% / - 20%	adjustable	25 VA	50 - 60 Hz